

VERCO

Somme



# office furniture

specification guide and price list

january 2007

## The Company

High Wycombe, synonymous with the furniture industry in the United Kingdom, is home to Verco Office Furniture, one of Britain's leading office furniture manufacturers. Established in the area since 1912, it has grown on the same site and now occupies over 50,000 square metres. Verco is a company that is proud of its history and its association with the fine traditions of quality and workmanship.

## The Service

Verco's commitment to designing and manufacturing products to the highest achievable standards, together with a quality management system that complies to BS EN ISO 9001: 2000, enables the Company to offer a five year guarantee on all its products. This dedication extends beyond the products offered, running throughout the entire organisation from the moment an enquiry is received, to the final delivery and beyond.

## The Products

With a reputation for producing an extensive range of quality office seating, Verco has established itself in the market place as a major manufacturer in the field of Executive and System Furniture. Utilising the latest technology in manufacturing plant and machinery, allied to the skills and craftsmanship of a dedicated workforce, the products represent the culmination of 90 years of experience within the furniture market.

### Corniche Executive Furniture

All veneers and solid woods used in the manufacturing process are sourced from either European or North American suppliers who operate afforestation programmes.

As the veneers used are natural products, each piece has its own individual characteristics. Grain patterns and their appearances can therefore alter between products and despite the skills being employed variations can occur.

### Intuition

Intuition reflects the traditional VERCO attention to detail. The beauty of real wood is enhanced by simple clean lines, bringing a refreshing European flavour to the modern Executive office.

A truly versatile and comprehensive range, Intuition offers the highest levels of functionality demanded by today's modern work practices.

### Visual Desking

Visual Desking represents cutting edge design. Manufactured from hard wearing M.F.C. Laminate to VERCO's high Quality Standards, the range features a fully adjustable beam which slots into the leg without the need for any tools, forming a rigid structure within minutes.

Visual Desking combines the qualities of strength, flexibility and individual style to create a unique and extensive system desking range.

### Oblique Desking

A superb new range of desking, flexible enough to meet your every requirement, yet simple enough to change according to the needs of today's fast moving offices. Oblique creates an atmosphere of space and lightness with minimalist design aesthetics.

Manufactured from hard wearing M.F.C. Laminate, or in real wood veneer, this range features a fully adjustable beam structure, forming a rigid and robust framework within minutes.

Oblique can produce a workspace that reflects your personality together with the values and ethos of your Company, whether your choice is for stand alone desking or a 'free - address' bench system.



*"Office furniture solutions  
that work as hard as you do."*



FM 20306

# OBLIQUE DESKING

## OBLIQUE INTUITION DESKING

A superb new range of desking which is flexible enough to meet your every requirement, yet simple enough to change according to the needs of today's fast moving offices. Oblique creates an atmosphere of space and lightness with minimalist design aesthetics.

**Oblique Desking** has been designed to conform to: **BS 4875, BS 5459, BS EN 527** and **BS 6396**.

**Tops** are 30mm thick faced with Cherry, Maple or Walnut real wood veneer and edged with solid wood lipping.

**Leg Frames** are constructed from 2.5mm Stainless steel rectangular section tube and sheet steel. Each leg frame has height levellers as standard.

**Telescopic Beams** are available in three lengths. They provide the stability for the desk frame. They are connected simply and easily to the leg frames to provide a robust and versatile framework for the workstation.

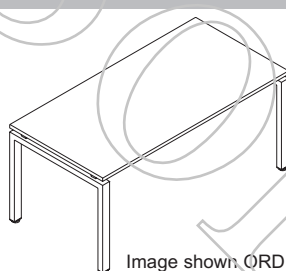
Rectangular Desks	Dimensions			Code	Component List	Price
	W	D	H			
	2000	1000	725	<b>ORD 2010</b>	1 x ORT 2010 1 x OLF 08 L 1 x OLF 08 R 1 x VTBL 1 x OSR 20	760.00
	1600	800	725	<b>ORD 1608</b>	1 x ORT 1608 1 x OLF 08 L 1 x OLF 08 R 1 x VTBM	660.00

Image shown ORD 1608

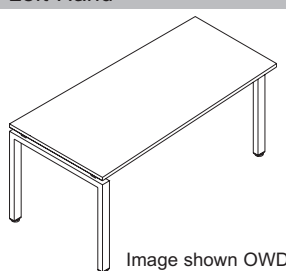
Wave Shaped Desks Left Hand	Dimensions			Code	Component List	Price
	W	D	H			
	2000	800/925	725	<b>OWD 2009 L</b>	1 x OWT 2009 L 1 x OLF 08 L 1 x OLF 08 R 1 x VTBL 1 x OSR 20	790.00
	1600	800/700	725	<b>OWD 1608 L</b>	1 x OWT 1608 L 1 x OLF 08 L 1 x OLF 06 R 1 x VTBM	670.00

Image shown OWD 1608 L

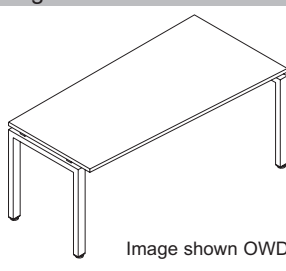
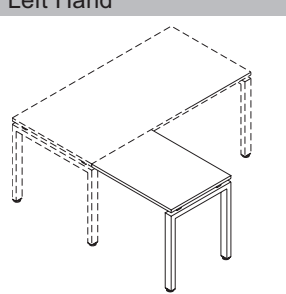
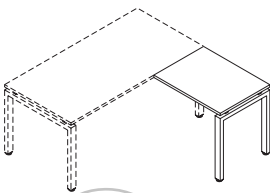
Wave Shaped Desks Right Hand	Dimensions			Code	Component List	Price
	W	D	H			
	2000	800/925	725	<b>OWD 2009 R</b>	1 x OWT 2009 R 1 x OLF 08 L 1 x OLF 08 R 1 x VTBL 1 x OSR 20	790.00
	1600	800/700	725	<b>OWD 1608 R</b>	1 x OWT 1608 R 1 x OLF 06 L 1 x OLF 08 R 1 x VTBM	670.00

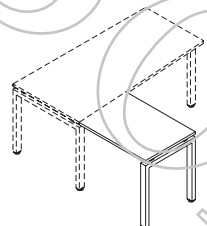
Image shown OWD 1608 R

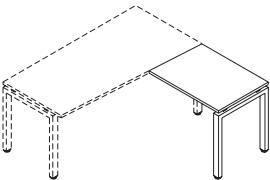
## OBLIQUE RETURN DESK UNITS

Rectangular Return Unit Left Hand	Dimensions			Code	Component List	Price
	W	D	H			
	1000	600	725	<b>ORR 1006 L</b>	1 x ORRT 1006 1 x OLF 06 L 1 x ORSB 2 x VLP	397.00
	800	600	725	<b>ORR 0806 L</b>	1 x ORRT 0806 1 x OLF 06 L 1 x ORSB 2 x VLP	372.00

Please specify Wood finish – Cherry (C) Maple (M) or Walnut (W) Frame finish – Stainless Steel (SS)

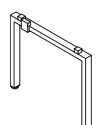
Rectangular Return Unit Right Hand	Dimensions			Code	Component List	Price
	W	D	H			
	1000	600	725	<b>ORR 1006 R</b>	1 x ORRT 1006 1 x OLF 06 R 1 x ORSB 2 x VLP	397.00
	800	600	725	<b>ORR 0806 R</b>	1 x ORRT 0806 1 x OLF 06 R 1 x ORSB 2 x VLP	372.00

Wave Return Unit Left Hand	Dimensions			Code	Component List	Price
	W	D	H			
	1000	600	725	<b>OWR 1006 L</b>	1 x OWRT 1006 L 1 x OLF 06 L 1 x ORLB 2 x VLP	432.00
	800	600	725	<b>OWR 0806 L</b>	1 x OWRT 0806 L 1 x OLF 06 R 1 x ORLB 2 x VLP	407.00

Wave Return Unit Right Hand	Dimensions			Code	Component List	Price
	W	D	H			
	1000	600	725	<b>OWR 1006 R</b>	1 x OWRT 1006 R 1 x OLF 06 R 1 x ORLB 2 x VLP	432.00
	800	600	725	<b>OWR 0806 R</b>	1 x OWRT 0806 R 1 x OLF 06 R 1 x ORLB 2 x VLP	407.00

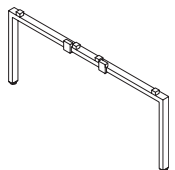
## OBLIQUE LEG FRAMES

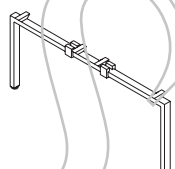
**Leg Frames** include height levellers and are manufactured from high grade Stainless Steel Rectangular Section tube.

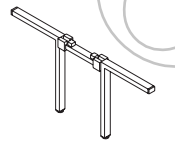
Leg Frame - 800mm	Description	Code	Price
	Left Hand End leg	<b>OLF 08 L SS</b>	175.00
	Right Hand End leg	<b>OLF 08 R SS</b>	175.00

Leg Frame - 600mm	Description	Code	Price
	Left Hand End leg	<b>OLF 06 L SS</b>	155.00
	Right Hand End leg	<b>OLF 06 R SS</b>	155.00

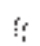
Please specify Wood finish – Cherry (C) Maple (M) or Walnut (W) Frame finish – Stainless Steel (SS)

Leg Frame - 1642mm	Description	Code	Price
	Double End leg	<b>OLF 16 SS</b>	210.00


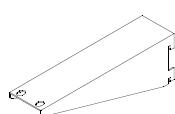
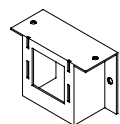

Intermediate Leg Frame - 1642mm	Description	Code	Price
	Intermediate Double leg	<b>OILF 16 SS</b>	295.00

Intermediate Leg Frame - 500mm	Description	Code	Price
	Intermediate Double leg	<b>OILF 05 SS</b>	300.00

## TELESCOPIC BEAMS

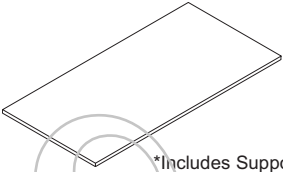
Telescopic Beams	Dimensions	Code	Price
	Return Short Beam	<b>ORSB</b>	45.00
	Return Long Beam	<b>ORLB</b>	45.00
	800 - 1200	<b>VTBS/S</b>	60.00
	1200 - 1800	<b>VTBM/S</b>	65.00
	1800 - 2500	<b>VTBL/S</b>	75.00

## BRACKETS


	Description	Code	Price
	Beam to Beam Junction Bracket	<b>VJUB/S</b>	30.00
	Desk End Support Bracket	<b>VDES/S</b>	20.00
	Beam Support Bracket	<b>VBSB/S</b>	16.00
	Link Plate	<b>VLP</b>	6.00

## OBLIQUE TOP PACKS

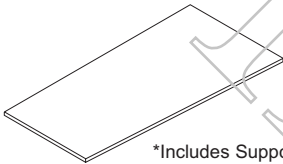
**Tops** are 30mm thick faced with Cherry, Maple or Walnut real wood veneer and edged with solid wood lipping. (The 2000mm top includes a support rail to provide additional stability at the front of the desk).

Rectangular Desk Top	Dimensions W D	Code	Price
	2000 x 1000	<b>*ORT 2010</b>	310.00
	1600 x 800	<b>ORT 1608</b>	245.00

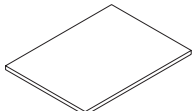
\*Includes Support Rail

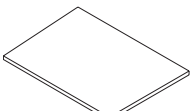
Wave Desk Top Left Hand	Dimensions W D	Code	Price
	2000 x 800/925	<b>*OWT 2009 L</b>	340.00
	1600 x 800/700	<b>OWT 1608 L</b>	275.00

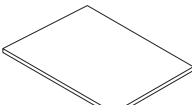
\*Includes Support Rail

Wave Desk Top Right Hand	Dimensions W D	Code	Price
	2000 x 800/925	<b>*OWT 2009 R</b>	340.00
	1600 x 800/700	<b>OWT 1608 R</b>	275.00

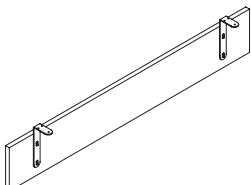
\*Includes Support Rail

Rectangular Return Top	Dimensions W D	Code	Price
	1000 x 600	<b>ORRT 1006</b>	175.00
	800 x 600	<b>ORRT 0806</b>	150.00

Wave Desk Return Top Left Hand	Dimensions W D	Code	Price
	1000 x 600	<b>OWRT 1006 L</b>	210.00
	800 x 600	<b>OWRT 0806 L</b>	185.00

Wave Desk Return Top Right Hand	Dimensions W D	Code	Price
	1000 x 600	<b>OWRT 1006 R</b>	210.00
	800 x 600	<b>OWRT 0806 R</b>	185.00

## OBLIQUE MODESTY PANELS

Veneer Modesty Panels	Dimensions W D	Code	Price
	2000 x 300	<b>OMP 20</b>	180.00
	1600 x 300	<b>OMP 16</b>	160.00

## STORAGE OPTIONS

For Storage Options please see Intuition Storage Solutions on pages 13-16

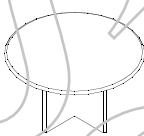
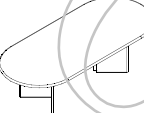
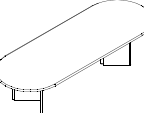
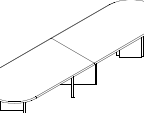
Please specify Wood finish – Cherry (C) Maple (M) or Walnut (W)

# VENEERED TABLES

The veneered table collection reflects VERCO's commitment to supplying a complete furniture solution in today's office.

## CORNICHE

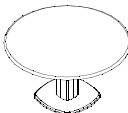
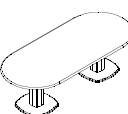
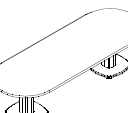
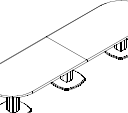
Continuing the details established in the Corniche Desking range, tops are 40mm thick, solid wood lippings and bull nosed profiles. Standard veneers are: **Oak (O)**, **Cherry (C)** and **Maple (M)** with the option of staining Cherry veneer to **Walnut (W)** and **Rosewood (RW)** finishes.

Corniche Tables	Description	Code	Price
	1220 Diam x 720 Radial Veneer	<b>COR 1</b>	1,450.00
	2500 x 1100 x 720	<b>COR 2</b>	1,650.00
	3000 x 1100 x 720	<b>COR 3</b>	1,750.00
	4000 x 1100 x 720	<b>COR 4</b>	2,750.00

## PREMIER

Premier provides a contemporary feel and timeless elegance, with its architectural style columns and selected veneers. Tops are 40 mm thick, solid wood lippings with bull nosed profiles all round. Standard veneers are: **Oak (O)**, **Cherry (C)** and **Maple (M)** with the option of staining Cherry veneer to **Walnut (W)** and **Rosewood (RW)** finishes. The central support column is finished in an epoxy coating to RAL 7005 (Flint), while the base is in a scuff resistant finish to RAL 7016 (Graphite).

N.B. Vertical Wire Management may be provided via the central column, **SP** – £35



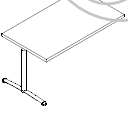
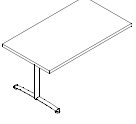
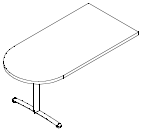
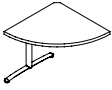


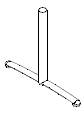
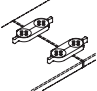
Premier Tables	Description	Code	Price
	1220 Diam x 720 Radial Veneer	<b>PRE 1</b>	1,150.00
	2500 x 1100 x 720	<b>PRE 2</b>	1,550.00
	3000 x 1100 x 720	<b>PRE 3</b>	1,650.00
	4000 x 1100 x 720	<b>PRE 4</b>	2,500.00

Please specify Wood finish – Oak (O), Cherry (C) and Maple (M) Veneer, Cherry stained to Walnut (W) Cherry stained to Rosewood (RW)  
+10% Stain to Sample

# OMNIA

Utilising a modular beam frame, Omnia can be specified to meet most conference and meeting room requirements. Tops are 40mm thick, solid wood lippings all round and with a square edge profiles all round. The rectangular elements are produced with the veneer running across the width, whilst the semi-circular and quarter link tops are radially veneered.

Standard veneers are: **Oak (O)**, **Cherry (C)** and **Maple (M)** with the option of staining Cherry veneer to **Walnut (W)** and **Rosewood (RW)** finishes.

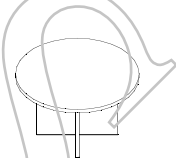
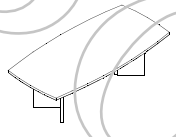
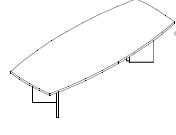
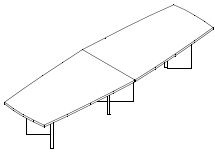
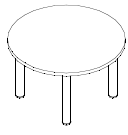
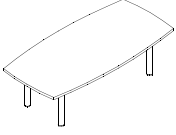
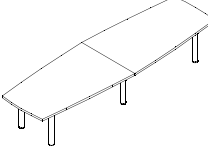
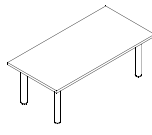
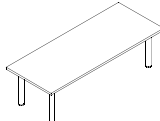
Omnia Tables	Description	Code	Price
	Free Standing Semi Circular 1700 x 850 x 720	<b>OMN 1</b>	850.00
	Square Link Table 800 x 800 x 720	<b>OMN 2</b>	475.00
	Rectangular Link Table 1400 x 800 x 720	<b>OMN 3</b>	575.00
	Rectangular End Table 1400 x 800 x 720	<b>OMN 4</b>	575.00
	D End Link Table 1600 x 800 x 720	<b>OMN 5</b>	625.00
	Quarter Link Table 850 x 850 x 720	<b>OMN 6</b>	525.00
	Semi Circular Link Table 1700 x 850 x 720	<b>OMN 7</b>	900.00
	Free Standing Rectangular 1400 x 800 x 720	<b>OMN 8</b>	725.00
	End Column	<b>OMN 9</b>	150.00
	Click Catches	<b>CC</b>	24.00

Please specify Wood finish – Oak (O), Cherry (C) and Maple (M) Veneer, Cherry stained to Walnut (W) Cherry stained to Rosewood (RW)  
+10% Stain to Sample

## HI-LINE TABLES

Hi-Line is designed to withstand every day use. Tops are 40mm thick, with the benefit of solid wood lippings all round with a square edge profile. A choice of round wooden legs or veneered, arrowhead leg frames and three top styles enable Hi-Line to meet most meeting table demands.

Standard veneers are: **Oak (O)**, **Cherry (C)** and **Maple (M)** with the option of staining Cherry veneer to **Walnut (W)** and **Rosewood (RW)** finishes.

Hi-Line Tables	Description	Code	Price
	Circular 1220 Diam x 720	<b>HIL 1</b>	1,050.00
	Boat Shaped 2500 x 1220 x 720	<b>HIL 2</b>	1,600.00
	Boat Shaped 3900 x 1220 x 720	<b>HIL 3</b>	1,750.00
	Boat Shaped 4000 x 1220 x 720	<b>HIL 4</b>	2,500.00
	Circular 1220 Diam x 720	<b>HIL 5</b>	950.00
	Boat Shaped 2500 x 1220 x 720	<b>HIL 6</b>	1,500.00
	Boat Shaped 4000 x 1220 x 720	<b>HIL 7</b>	2,400.00
	Rectangular 2000 x 1000 x 720	<b>HIL 8</b>	975.00
	Rectangular 2500 x 1000 x 720	<b>HIL 9</b>	1,050.00

Please specify Wood finish – Oak (O), Cherry (C) and Maple (M) Veneer, Cherry stained to Walnut (W) Cherry stained to Rosewood (RW)  
+10% Stain to Sample

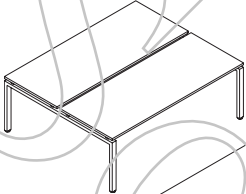
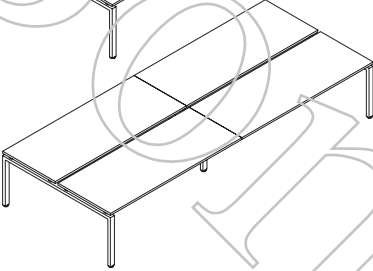
## OBLIQUE CONFERENCE TABLES

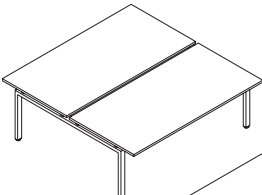
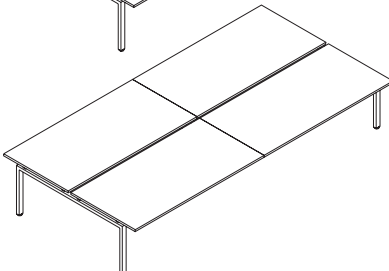
**Tops** are 30mm thick with solid wood lipping all round. Oblique conference tables are manufactured using real wood veneers from sustainable sources. Standard Veneers are; Maple (M), Cherry (C) and Walnut (W).

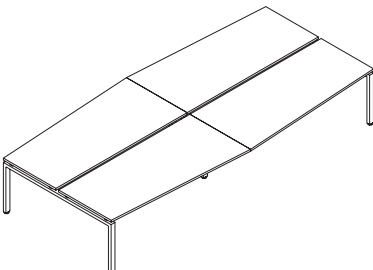
**Leg Frames** include height levellers and are manufactured from high grade Stainless Steel Rectangular Section tube.

**Telescopic Beams** are available in three lengths. They provide the stability for the table frame and are connected quickly and easily to produce a robust and versatile framework.

**Please note: Table tops may be suited, at an additional charge of 15%.**

Rectangular Conference Tables	Dimensions W D H	Code	Component List	Price
	1600 x 1642 x 725	<b>ORCT 1616</b>	2 x ORT 1608 2 x OLF 16 SS 2 x VTBM	1,040.00
	3200 x 1642 x 725	<b>ORCT 3216</b>	4 x ORT 1608 2 x OLF 16 SS 1 x OILF 05 SS 4 x VTBM 2 x VLP	1,972.00
N.B Includes legs & beams				


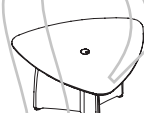
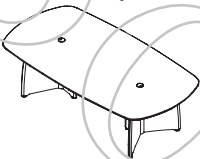
	2000 x 2042 x 725	<b>ORCT 2020</b>	2 x ORT 2010 2 x OLF 16 SS 2 x VTBL 2 x OSR 20	1,240.00
	4000 x 2042 x 725	<b>ORCT 4020</b>	4 x ORT 2010 2 x OLF 16 SS 1 x OILF 05 SS 4 x VTBL 2 x VLP 4 x OSR 20	2,372.00
N.B Includes legs & beams				

Wave Conference Table	Dimensions W D H	Code	Component List	Price
	4000 x 1892/1642 x 725	<b>OWCT 4019</b>	2 x OWT 2009 L 2 x OWT 2009 R 2 x OLF 16 SS 1 x OILF 05 SS 4 x VTBL 2 x VLP 4 x OSR 20	2,792.00
N.B Includes legs & beams				

Please specify Wood finish – Cherry (C) Maple (M) or Walnut (W) Frame finish – Stainless Steel (SS)

## INTUITION

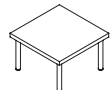
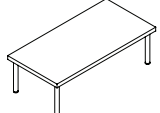

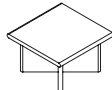

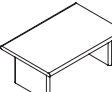


Tops are 30mm thick with a reverse chamfer on all top edges. Intuition is manufactured using real wood veneers from sustainable sources. Standard veneers are: **Maple (M)**, **Cherry (C)** and **Walnut (W)**.

Intuition Tables	Description	Code	Price
	1200 Diam x 720	<b>IMT 1</b>	762.00
	1240 x 1195 x 720	<b>IMT 2</b>	762.00
	2500 x 1200 x 720	<b>IMT 3</b>	1,300.00

## COFFEE TABLES

Hi-Line and Corniche coffee tables are available in the standard veneers: **Oak (O)**, **Cherry (C)** and **Maple (M)** with the option of staining Cherry veneer to **Walnut (W)** and **Rosewood (RW)** finishes.

Intuition coffee tables are available in the standard veneers: **Maple (M)**, **Cherry (C)** and **Walnut (W)**.

Coffee Tables	Description	Code	Price
	610 x 610 x 385	<b>COF 1</b>	205.00
	1220 x 550 x 385	<b>COF 2</b>	290.00
	900 Diam x 430	<b>COF 3</b>	340.00
	660 x 660 x 400	<b>COF 4</b>	550.00
	930 Diam x 400 Radial Veneer	<b>COF 5</b>	750.00
	990 x 660 x 400	<b>COF 6</b>	550.00
	900 Diam x 400	<b>COF 7</b>	550.00
	804 x 855 x 400	<b>COF 8</b>	550.00