

Furniture for modern working

Somercourt



Satellite

2007 Specifiers Guide V1

Satellite

Satellite is a stylish and comprehensive front-of-house furniture system for contemporary interiors.

Its key features include:

- * A reception desk system with curved and straight modules.
- * A screen or space-divider system in matching style.
- * A complementary suite of storage units.
- * An innovative range of tables.
- * Elegant, stainless steel framework.
- * Exciting range of materials.
- * Wheelchair accessible.
- * Delivery 3-4 weeks. Quick and simple installation.

Prices are inclusive of:

- * Colour brochures and material samples sent on request.
- * Free-issue CAD blocks for customers' own use.
- * Space-planning, by e-mail or fax, based on customers' own, dimensioned floor-plans.
- * CAD support on request, with 3D drawings of standard modules.
- * Any combination of the standard finishes.



Office Interiors

Satellite is available in a wide range of finishes, this page gives an overview of the properties of these materials and their uses.

The full palette of materials is shown on the next page.

Fine Textured Colours

Used on Desk, table and counter-tops. Also for storage cabinets.

Fine textured painted colours combine a crisp, clean finish with a hard, slightly textured surface. They are ideal for situations where hygiene is important. Colour matching available on request.

Wood Veneer

Used on Desk, table and counter-tops. Also for storage cabinets.

All veneers are selected, matched and laid for each individual piece of furniture. The curved desk-tops are veneered in a fan pattern to create a unique effect.

The fascia panels are book-matched in sequence. After fine sanding, the surface is then sprayed with several coats of clear lacquer to enhance and protect the surface.

Acrylics

For reception fascias and screens.

Cast acrylic sheet has all the visual properties of glass but without the disadvantages. It can be easily curved, is lighter in weight and not liable to crack or shatter. It is available in translucent glass like finishes such as the frost acrylics or solid gloss colours.

Metallic Acrylics

For reception fascias and screens.

Cast acrylic sheet which is faced with metal foil, has all the attraction of sheet steel but with none of the drawbacks. It can be perforated, is flexible, scratch-proof, warm to the touch and has no sharp edges.

Special Effect

For reception fascias and screens.

Laminate has been used as a decorative surface in furniture design since the 1950's. The latest generation uses metal foils to produce high-tech effects which have never been possible before.

Glass

For counter tops.

The crisp, crystal properties of glass enhance the metal elements of Satellite.

The edges are polished and the glass is fitted to the frame with custom-made stainless steel fixings.

Digital Printing NEW FOR 2007

See Page 10 for a full explanation.

PRICE BANDS

Satellite falls into 3 price bands depending on the materials chosen for the tops and fascias. These price bands are A, B and C, with A being the least expensive. Materials from different bands can be mixed, however the overall price is determined by the highest band chosen.

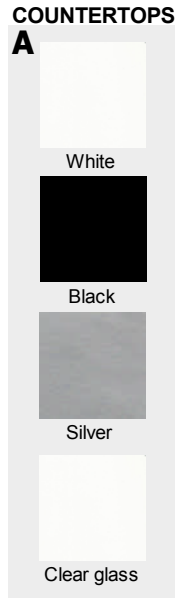
PRICE BAND A

DESKTOPS
A



White
Silver
Black

COUNTERTOPS
A



White
Black
Silver
Clear glass

FASCIAS
A

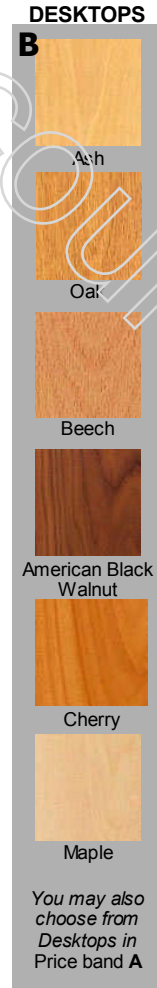


Lime gloss acrylic
Orange gloss acrylic
Black gloss acrylic
Red gloss acrylic
White gloss acrylic

Other plain coloured acrylics are available in the standard palette on request

PRICE BAND B

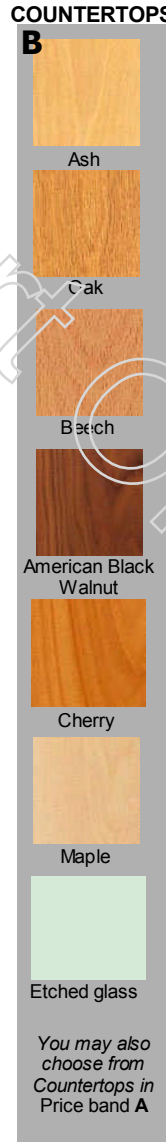
DESKTOPS
B



Ash
Oak
Beech
American Black Walnut
Cherry
Maple

You may also choose from Desktops in Price band A

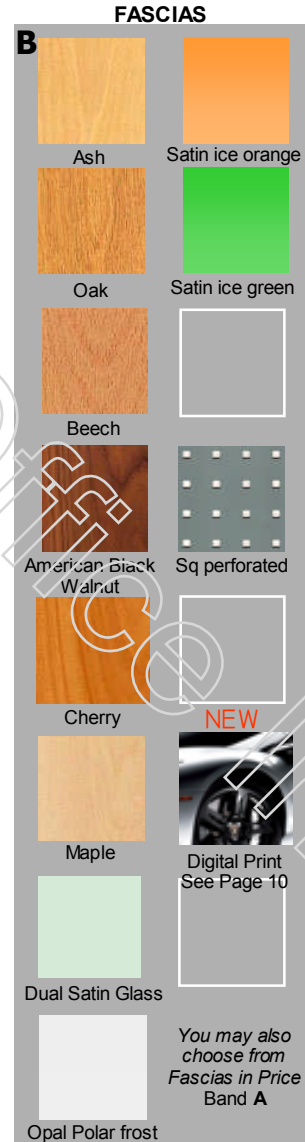
COUNTERTOPS
B



Ash
Oak
Beech
American Black Walnut
Cherry
Maple
Etched glass

You may also choose from Countertops in Price band A

FASCIAS
B



Ash
Oak
Beech
American Black Walnut
Cherry
Maple
Sq perforated
Digital Print See Page 10
Opal Polar frost

You may also choose from Fascias in Price Band A

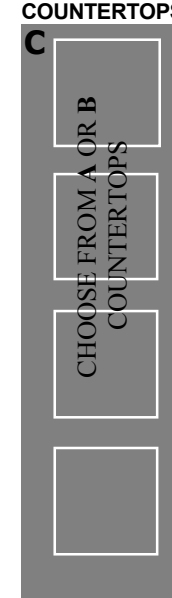
PRICE BAND C

DESKTOPS
C



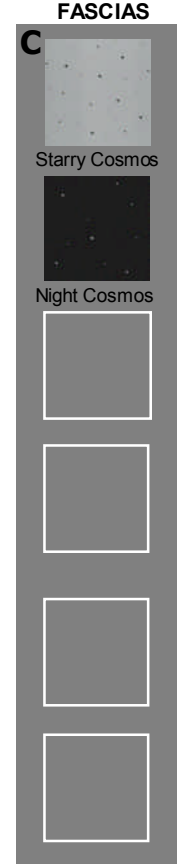
CHOOSE FROM A OR B
DESKTOPS

COUNTERTOPS
C



CHOOSE FROM A OR B
COUNTERTOPS

FASCIAS
C



Starry Cosmos
Night Cosmos

Satellite Priced examples– 1 Person

The examples on this page are shown at RRP. They include the cost of cable ports and associated trunking . Please ask us for a quote before placing an order.

Key: Price Bands **A** **B** **C**

SR1 A £3828 SR1 B £4808 SR1 C £5448

SR2 A £6113 SR2 B £6983 SR2 C £8673

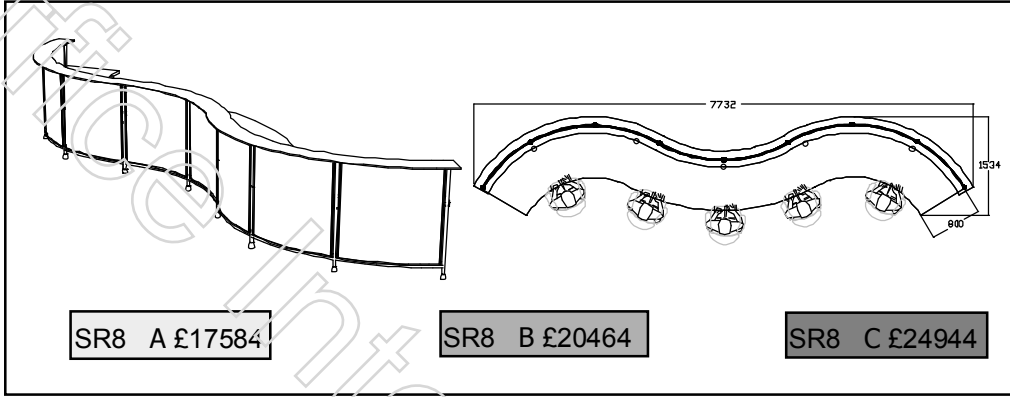
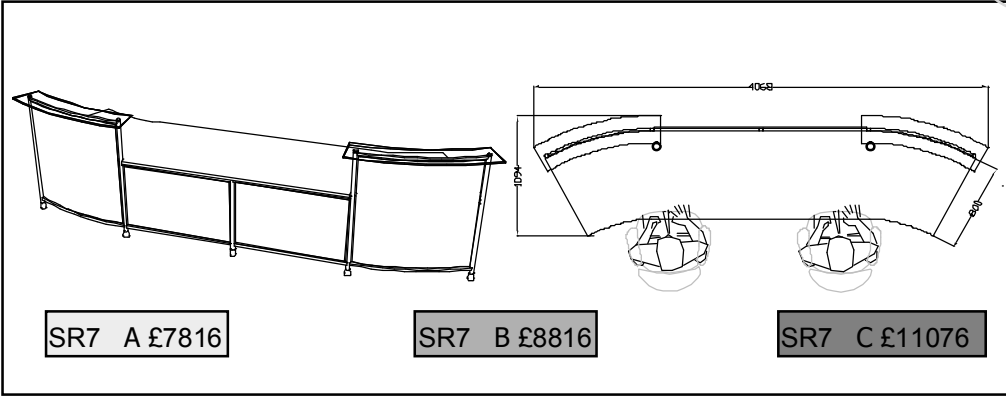
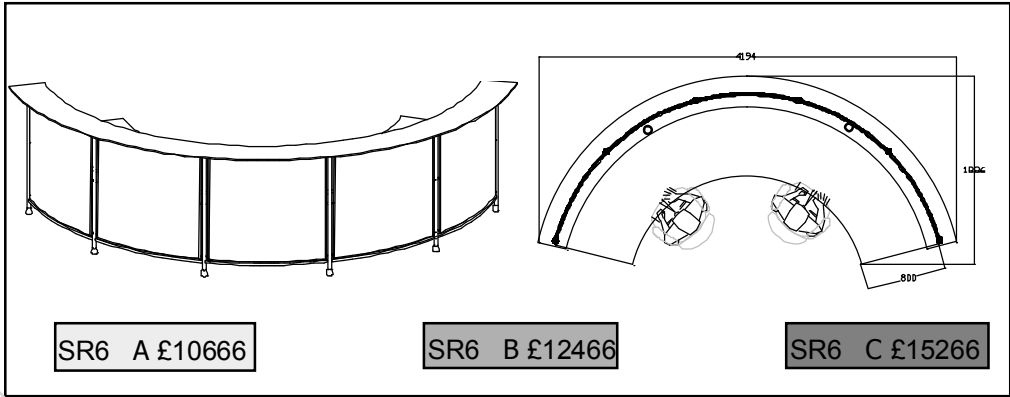
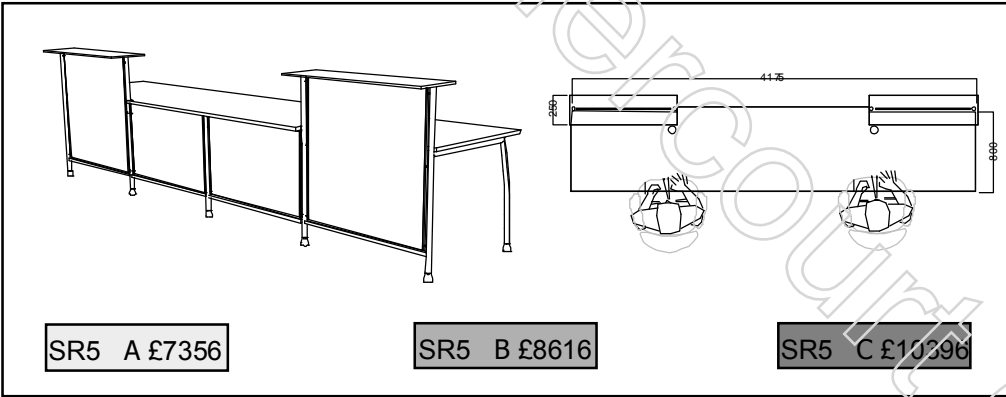
SR3 A £4288 SR3 B £5008 SR3 C £6128

SR4 A £6378 SR4 B £7458 SR4 C £9138

Satellite Priced examples– 2+ Person

The examples on this page are shown at RRP. They include the cost of cable ports and associated trunking . *Please ask us for a quote before placing an order.*

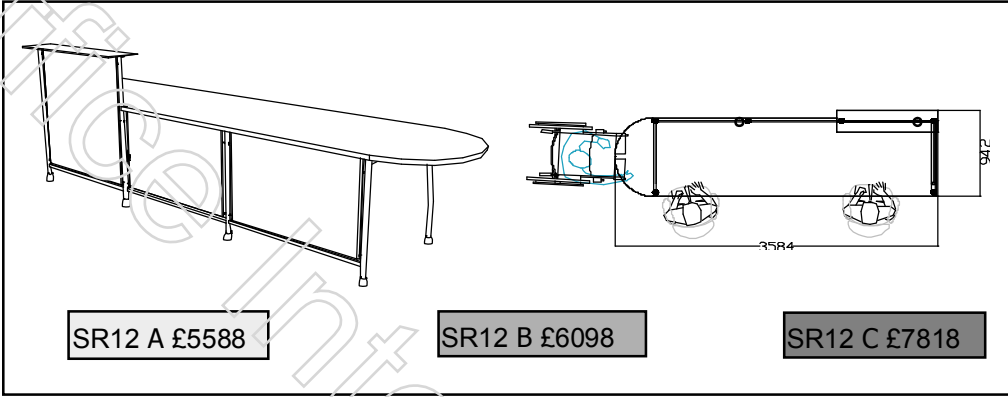
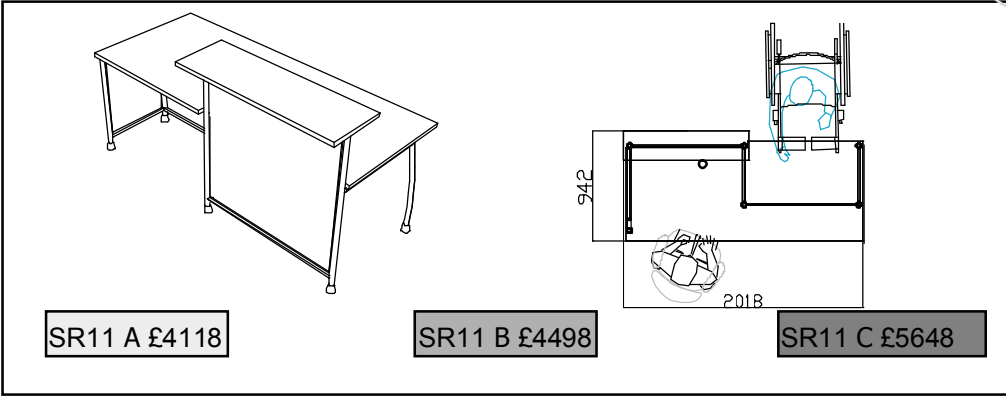
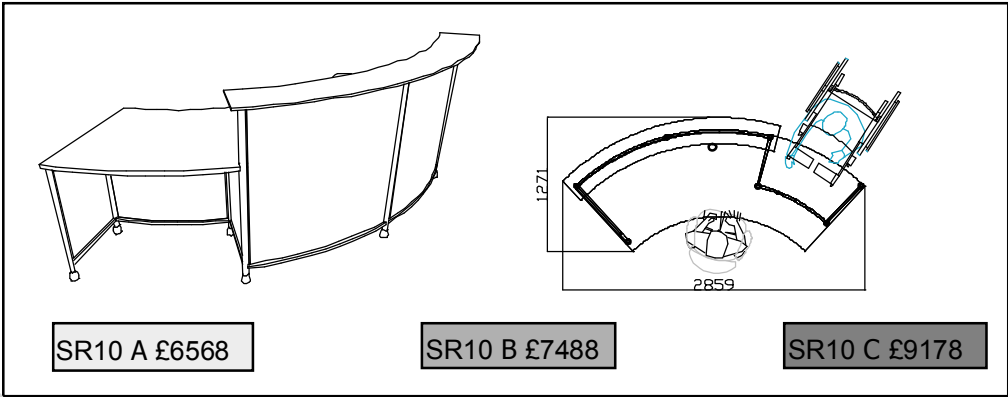
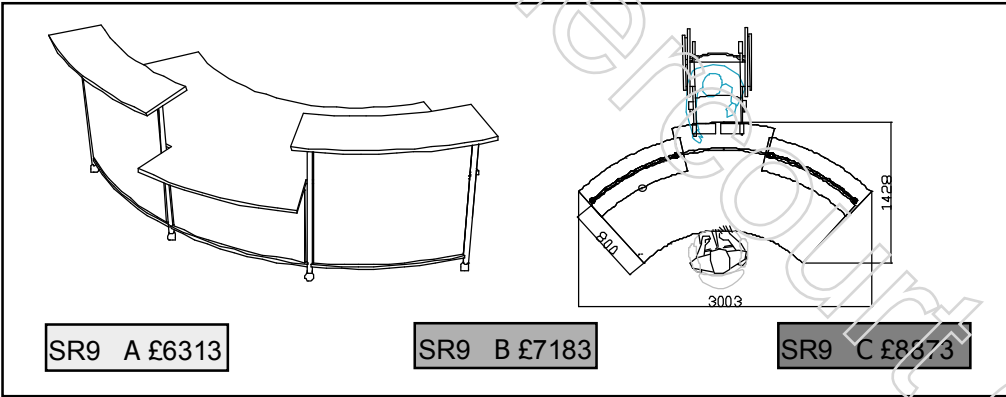
Key: Price Bands **A** **B** **C**



These examples show different DDA options being used.

The examples on this page are shown at RRP. They include the cost of cable ports and associated trunking . *Please ask us for a quote before placing an order.*

Key: Price Bands **A** **B** **C**

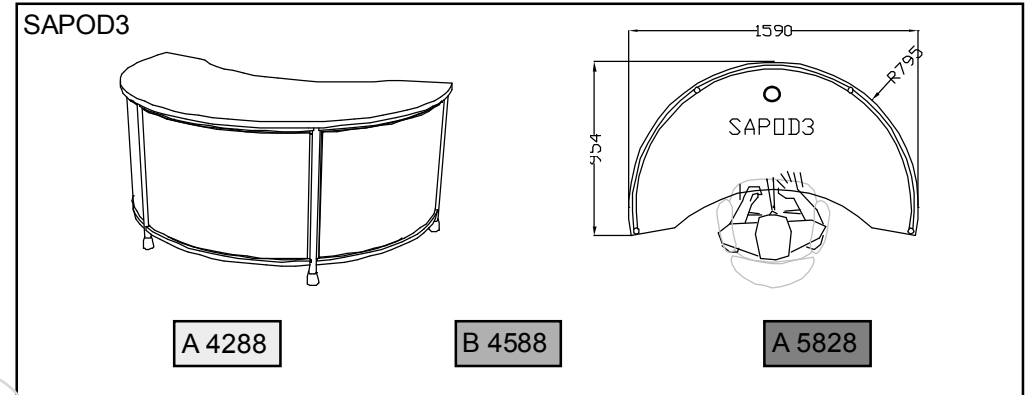
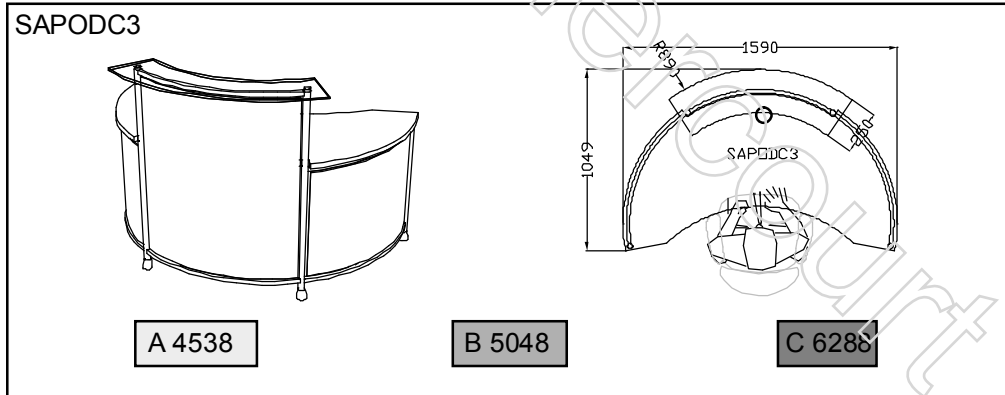


Satellite	Reception Pod
------------------	----------------------

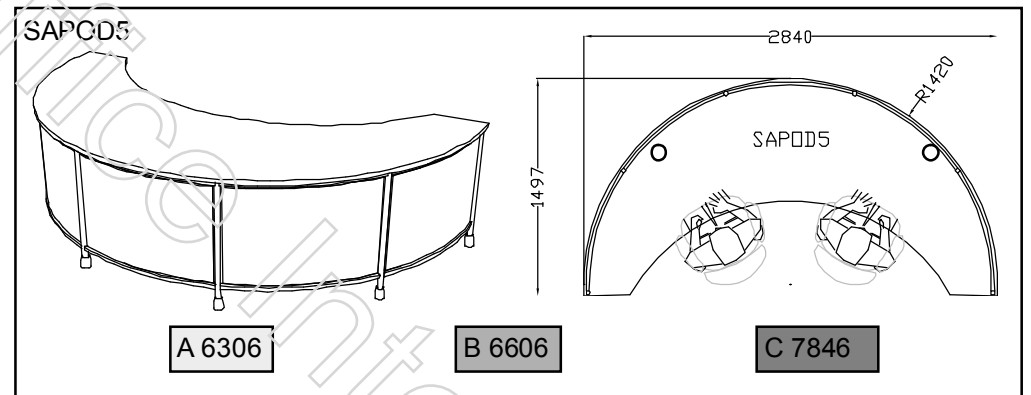
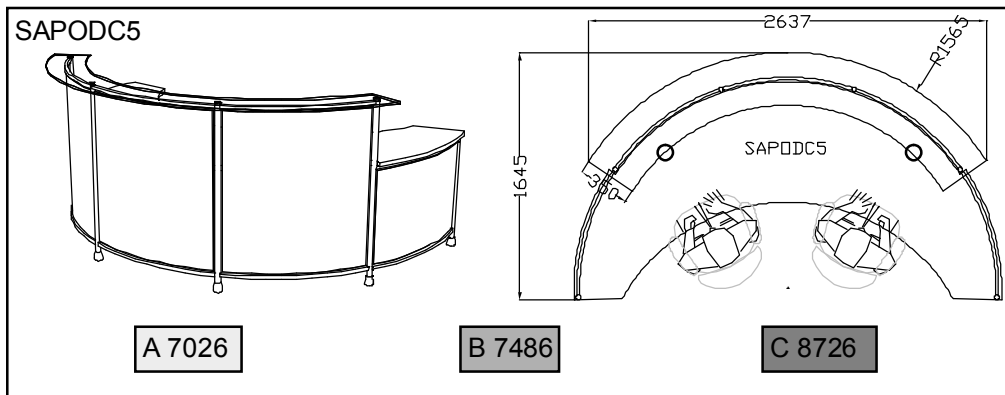
The pod is a great concept for creating an island reception desk or a meeter-greeter station for one or for two operators. It is part of the Satellite front-of-house system and comes in a wide variety of finishes.

Key: Price Bands **A** **B** **C**

The examples on this page are shown at RRP. They include the cost of cable ports and associated trunking. *Please ask us for a quote before placing an order.*

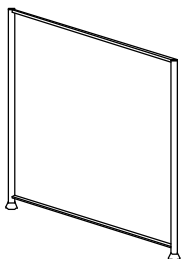
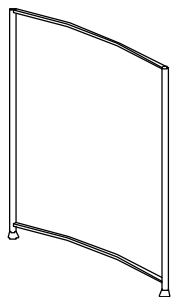


These prices include one cable port and one vertical spine per person.



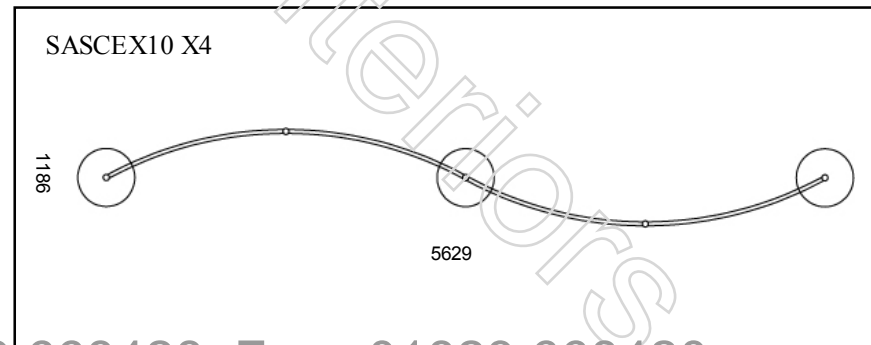
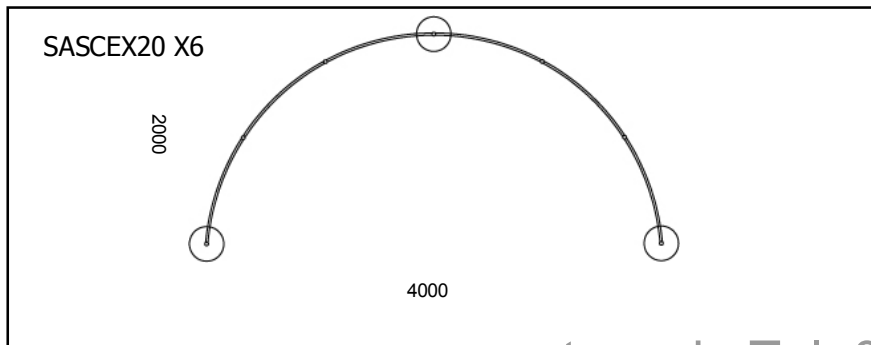
The screen system matches the style of the reception desks by using the same stainless steel framework and choice of fascia panels. Screens can be used to divide spaces, to create meeting or breakout areas or simply to provide a backdrop to the reception desk. Some configurations are self-supporting, others will require the base plates as shown in the examples. *Please ask us for a quote before placing an order.*

Key: Price Bands **A**



Code	Description	L x H	Price £
SASCEX20	Curved screen unit .	1000 X 2000	1700
SASCEX15		1000 X 1500	1430
SASCEX10		1000 X 1000	1270
SASS20	Straight screen unit	1000 X 2000	1520
SASS15		1000 X 1500	1230
SASS10		1000 X 1000	1150
SASP	Satellite polished stainless steel screen base plate. Can be adapted for floor fixing.	300mm dia	150

EXAMPLES



Personalise your reception desk with lettering and or company logo. *Examples are shown, but please ask us for a quote before placing an order.*

Description	Code	Price £
Brushed steel, cut lettering 200mm high x 0.9mm, applied to fascias. Price is based on 9 letters. (Can also be customised to include company logo - P.O.A).	SIGN.01	576
Coloured lettering or logo incorporated as an acrylic fascia panel. (Artwork and fonts must be supplied in suitable formats, otherwise additional design costs may be incurred. Please ask for requirements when ordering.)	SIGN.04	740

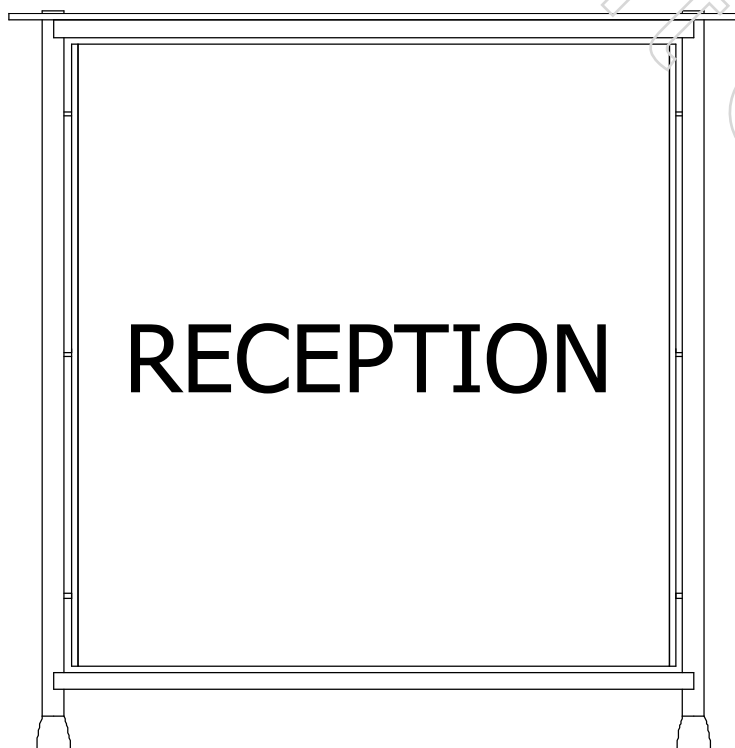


Image shows example of SIGN.01



Image shows example of SIGN.04



DIGITAL PRINT FASCIAS

Available on all SATELLITE desk fascias and screen panels.
PRICE BAND 'B'

Martina's unique SATELLITE polished, stainless steel, front-of-house furniture system has become even more striking. The introduction of digital printing can transform the appearance of desk and screen fascias, bringing your own message directly to prominence in customer-facing areas. Photos and logos of your choice can be printed in high quality to create that vital, visual impact.

How it works:

Having decided on the size and shape of the furniture components, we will then require the artwork for printing the images of your choice. This should be supplied in electronic format, such as jpeg, tiff or psd. We will then print the images onto Foamex panels, laminate them in the required finish (gloss, smooth satin or textured satin) and build them in to the furniture framework.

Remember that the quality of the original image will be reflected in the final printing so, higher resolution originals will produce a better result every time.



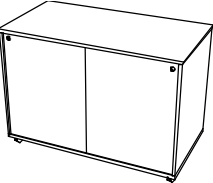
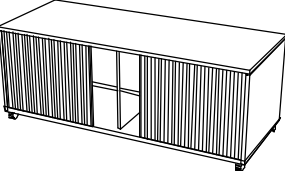
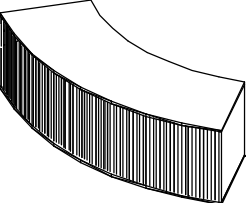
Helping hand:

In case you are unable to produce the necessary artwork, we can help. Supply the basic images and we can edit them for you and send you digital proofs to approve prior to printing. The charge for this service would be £42.



Satellite mobile storage cabinets are designed to respond to the unpredictable flow of work, providing storage wherever and whenever it is required. Supplied with lockable castors. *Please ask us for a quote before placing an order.*

Key: Price Bands **A and B**

	Description	Code	L x D x H	Price £
Standard pedestal				
	Mobile pedestal, central locking. Carcase either veneered or coloured. 2 personal + 1 filing drawer foolscap/A4.	APMS1	425 x 600 x 670	582
	Mobile pedestal, central locking. All steel construction, coated silver. 2 personal + 1 filing drawer foolscap/A4.	SAPMS/02	425 x 600 x 670	332
Slim pedestal				
	Slim mobile pedestal, central locking. All steel construction, silver coated. 2 personal + 1 filing drawer foolscap/A4.	SAPMS/03	300 x 570 x 600	332
	Cupboard with shelf. Sliding silver or glass look acrylic doors. Carcase either veneered or coloured.	SACS08 SACS10 SACS15	800 x 520 x 700 1000 x 520 x 700 1500 x 520 x 700	1350 1395 1450
	Cupboard with shelf. Side opening metallic tambours. Carcase either veneered or coloured.	SACT08 SACT10 SACT15	800 x 520 x 700 1000 x 520 x 700 1500 x 520 x 700	1440 1600 1750
	Cupboard with shelf. Side opening metallic tambours. Carcase either veneered or coloured.	SAC20CEX	2000 x 520 x 700	2190

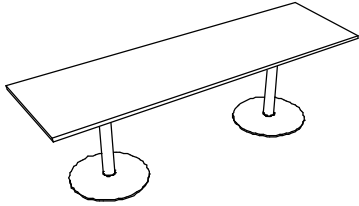
Key: Price Bands **A** **B**

Code

Description

L x D x H

**Price
£**



SATR2080

Rectangular table with stainless steel bases.

2000 x 800 x 745

1520

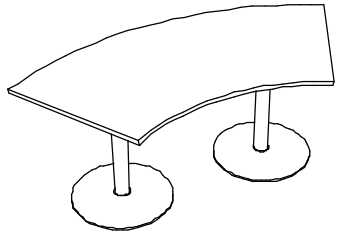
1650

SATR3080

3000 x 800 x 745

1620

1800



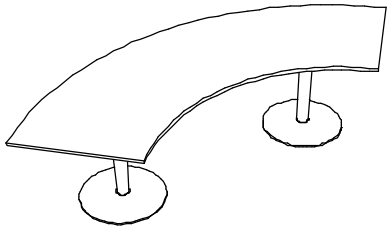
SATC60

60 degree curved table with stainless steel bases.

2000 x 800 x 745

1600

1850



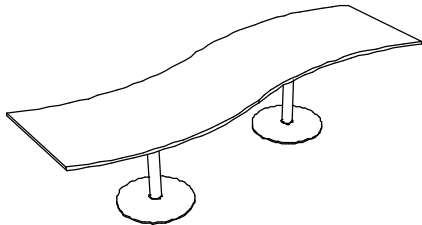
SATC90

90 degree curved table with stainless steel bases.

2800 x 800 x 745

1620

2000



SATS3080

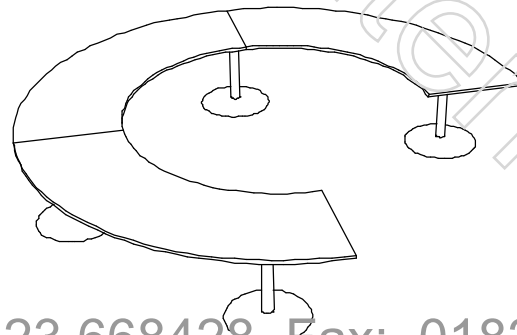
S table with stainless steel bases.

3000 x 800 x 745

1700

2400

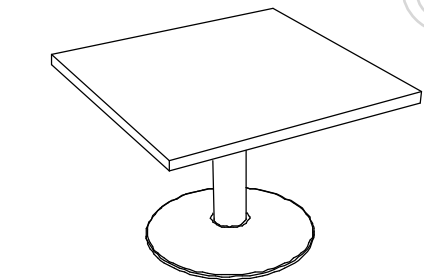
Satellite tables are simple and versatile. The bases are stainless steel columns which support the various shaped tops in different configurations.



3 x 90 degree curved table

Satellite	Coffee Tables
------------------	----------------------

Key: Price Bands **A and B**



Square coffee table with a stainless steel base.

L x D x H

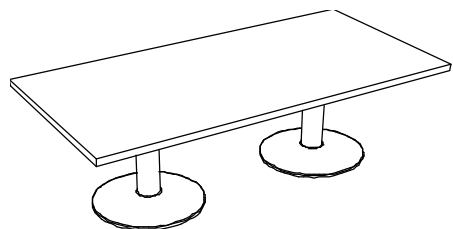
600 x 600

Code

SSCT6060

**Price
£**

880

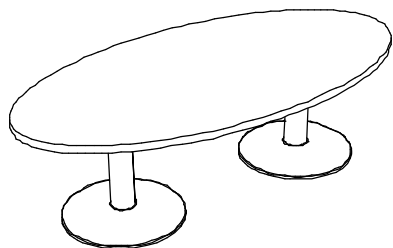


Rectangular coffee table with stainless steel bases.

1000 x 600
1400 x 700

SRCT1060
SRCT1470

890
1360

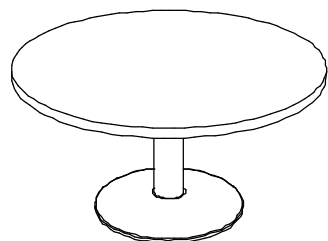


Ellipse coffee table with stainless steel bases.

1000 x 600
1400 x 700

SOCT1060
SOCT1470

1330
1370



Circular coffee table with a stainless steel base.

600mm dia
800mm dia

SCCT60
SCCT80

1010
1090