

BREAK STATION

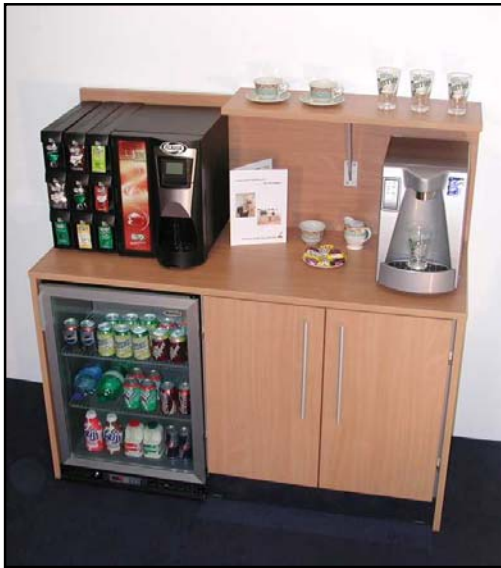
..“CREATE AN OASIS”



Somercourt Office Interiors

Tel: 01823 668428

Fax: 01823 668420



BREAK STATION
..“CREATE AN OASIS”

BREAK STATION

..“CREATE AN OASIS”

With ever increasing pressures at work, breakout areas are becoming an integral part of the modern office environment.

Staff, clients, delegates.. Are all able to relax, refresh and conduct their business in an informal area where soft or café seating is located.

Every breakout area should have refreshments available and our stylish, functional and compact BREAKSTATION has been developed for such a task.

Being able to supply hot drinks and fresh chilled water through worktop machines, along with the fridge / cooler unit within for soft drinks, allowing them to be more creative and dynamic whilst frequenting the area.

The BREAKSTATION is totally free standing and will connect to floor box or wall mounted services. This allows the units to stand almost anywhere within the office and also makes for easy re-siting during the inevitable office move.



Long Over Shelf accepts coffee machines to 500mm high.



Short Over Shelf accepts taller coffee machines up to 630mm wide.



150mm deep drawer with stylish aluminium handle.



Mini Cooler 50ltr with silver door surround & handle.



Access cut out to rear of unit for power & water supplies.



Large Cooler Illuminated & lockable with silver door surround & handle.



Cupboard storage with Internal chrome bin. Auto open with door.



Coffee machines and water coolers are for show purposes only and are not included with the BREAKSTATION.

BREAKSTATION can accommodate nearly all worktop coffee machines & water coolers.

Full cable and pipe access through unit and top.

Services accepted to unit from floor box or wall.

Over shelf lengths available to suit existing coffee machines.

BREAK STATION

..“CREATE AN OASIS”

Office Drinks Stations

Receptions

Showrooms

Exhibition Stands



Conference Areas

Meeting Rooms

Waiting Rooms

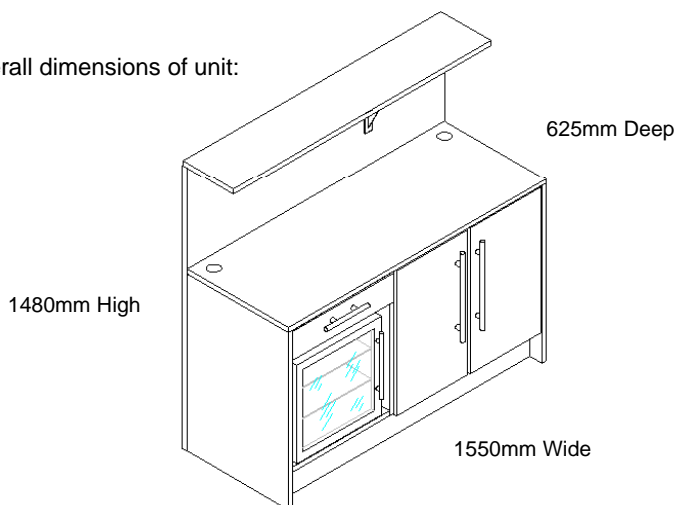
And ...

These areas speak volumes about the commitment of your company to it's customers and staff. Our compact, stylish and functional units enhance their surroundings and bring a relaxed and informal feel to them.

They are the perfect hospitality partner to the busy workplace, where your customers and staff feel catered for, even though they may be using self service equipment.

Benefits of unmanned areas free up staff and resources and although a quick check every once in a while is required, the hospitality units create a focal point within breakout or informal meeting areas where people can frequent without the need for permanent supervision.

Overall dimensions of unit:

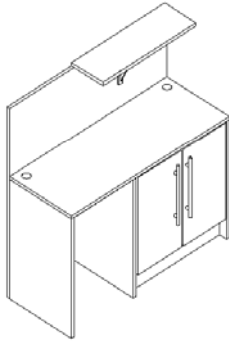


Using a standard BREAKSTATION hospitality unit you can suit almost all applications, but if so desired, our manufacturing facility can create for you a “unique special” to individual specification.

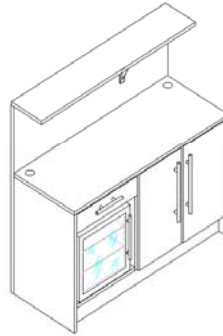
Contact us for any non standard product or corporate standard scheme required

DESIGN REGISTRATION APPLIED FOR.

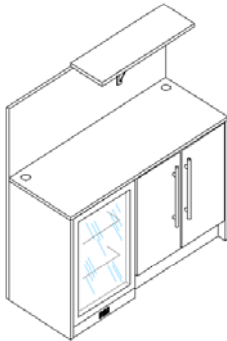
MODEL OPTIONS



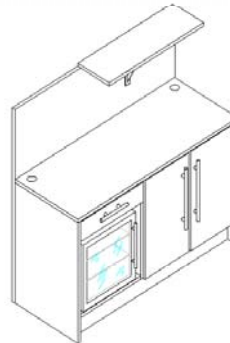
BREAKSTATION
with open space for
customers own fridge.
Short over shelf shown
£1345.00



BREAKSTATION
with mini drinks cooler
and drawer unit.
Long over shelf shown
£1599.00



BREAKSTATION
with large illuminated &
lockable drinks cooler.
Short over shelf shown
£2087.00



BREAKSTATION
with mini drinks cooler
and drawer unit.
Short over shelf shown
£1599.00

Long or short over shelf is available with any unit. Please specify on order.
All Prices Exclude VAT but Include Delivery within 250 miles of our Premises at
Wellington, Somerset. TA21 9JQ.



Glass Fronted
Illuminated & lockable
Cooler

STANDARD ACCESSORIES



Glass Fronted Mini
Cooler



Internal bin
chrome finish



Bar handle
Aluminium
finish



Shelf support
bracket Aluminium
finish

COLOUR OPTIONS

MAPLE



OAK



BEECH



CHERRY



SILVER



BLACK



Colour schemes available to suit Corporate Identity Standards : Please contact us with your requirements.

For any non standard product please contact us with your requirements or ideas and our design and manufacture team will produce for you your desired unit.